

AS85049/82, AS85049/83 and AS85049/84 Spring Termination Backshell

MIL-DTL-83723 Series III
MIL-DTL-5015 Series 3400
MIL-DTL-26482 Series 2

Basic Part No.

M85049/82 = Straight
M85049/83 = 45°
M85049/84 = 90°

Shell Size

Table I

M85049/82 - 16 W 03

Entry Size

Table I

Finish

N = Electroless Nickel
P = Cadmium Olive Drab over Electroless Nickel with Polysulfide Sealant Strips
W = 1,000 Hour Cadmium Olive Drab Over Electroless Nickel

SELF LOCKING COUPLING

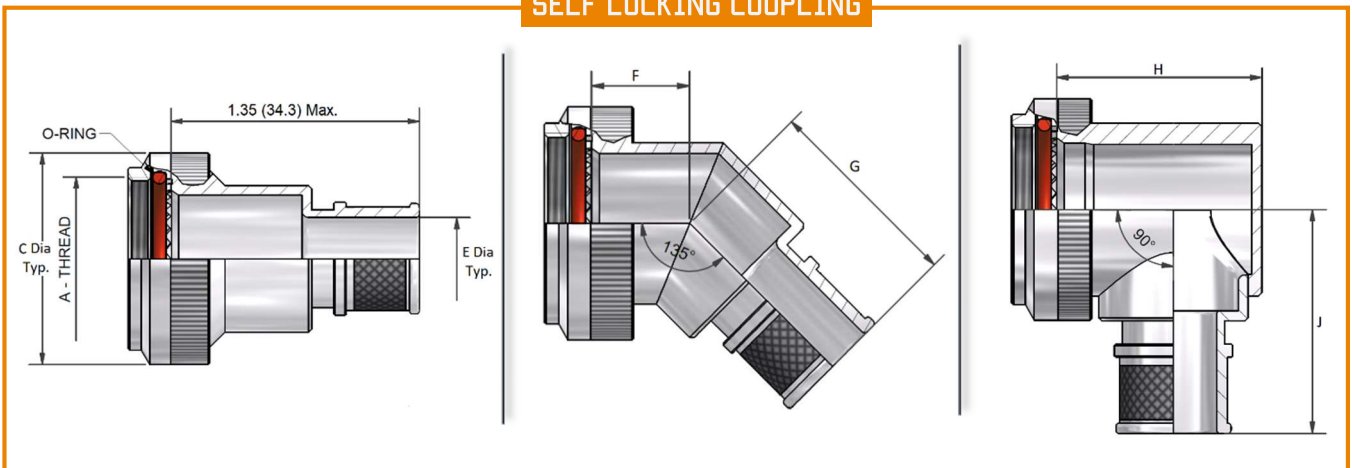


TABLE I

Shell Size	A Thread Class 2B	C Dia Max	E Dia Cable Entry				F Max	G Max	H Max	J Max
			Size 02		Size 03					
			±.010	± (0,3)	±.010	± (0,3)				
8	.500 – 20 UNF	22,4 (.880)	N/A		.250 (6,4)	22,1 (.870)	29,5 (1.160)	30,2 (1.188)	36,0 (1.417)	
10	.625 – 24 UNEF	25,7 (1.010)	N/A		.312 (7,9)	22,6 (.890)	30,0 (1.180)	32,5 (1.281)	37,6 (1.480)	
12	.750 – 20 UNEF	28,7 (1.130)	.312	(7,9)	.438 (11,1)	23,4 (.920)	30,5 (1.200)	35,7 (1.406)	39,2 (1.542)	
14	.875 – 20 UNEF	32,0 (1.260)	.438	(11,1)	.562 (14,3)	23,9 (.940)	31,0 (1.220)	38,9 (1.531)	40,8 (1.605)	
16	1.000 – 20 UNEF	35,1 (1.380)	.500	(12,7)	.625 (15,9)	24,4 (.960)	31,8 (1.250)	42,1 (1.656)	42,3 (1.667)	
18	1.062 – 18 UNEF	38,4 (1.510)	.625	(15,9)	.750 (19,1)	24,9 (.980)	32,0 (1.260)	43,6 (1.718)	43,9 (1.730)	
20	1.188 – 18 UNEF	41,4 (1.630)	.625	(15,9)	.812 (20,6)	25,4 (1.000)	32,8 (1.290)	46,8 (1.844)	45,5 (1.792)	
22	1.313 – 18 UNEF	44,7 (1.760)	.688	(17,5)	.938 (23,8)	26,2 (1.030)	33,3 (1.310)	49,2 (2.062)	47,0 (1.850)	
24	1.438 – 18 UNEF	47,8 (1.880)	.750	(19,1)	1.000 (25,4)	26,7 (1.050)	34,0 (1.340)	53,2 (2.093)	48,7 (1.917)	
28	1.750 – 18 UNS	54,1 (2.130)	.875	(22,2)	1.125 (28,6)	27,9 (1.100)	35,1 (1.380)	64,3 (2.531)	51,9 (2.042)	

