

# MIL-DTL-38999 SERIES III FIBER OPTIC BACKSHELL RANGE

ATX    01    -    00    -    13    -    BA

**BASIC CODE**

**TYPE**

01: Adaptor for standard 38999 Series III/EN3645 backshell (standard backshell not supplied)  
02: Backshell for straight or right angled heat shrink boot (heat shrink boot not supplied)

**ANGLE**

00 : Straight  
45 : 45°  
90 : 90°

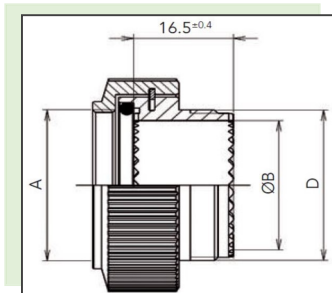
**SHELL SIZE**

09,11,13,19,25

**MATERIAL & PLATING**

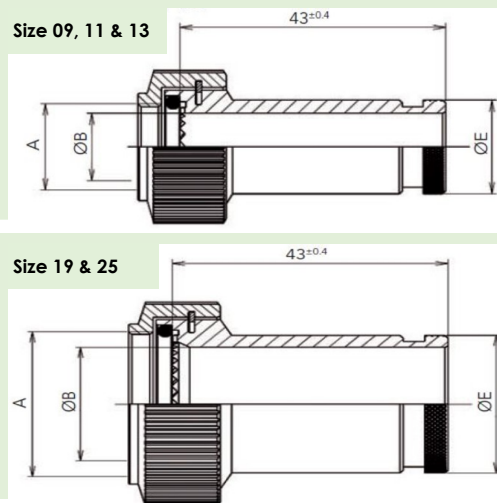
CA: Aluminum plated with Electroless nickel  
AA: Aluminum black anodized – Salt spray 500 hours  
BA: Aluminum plated with Olive drab cadmium over electroless nickel- Salt spray 500 hours  
NB: Bronze

## BACKSHELL TYPE 01



	Thread A	ØB±0.25	Thread D
Size 09	M12x1	8.7	M12x1
Size 11	M15x1	11.7	M15x1
Size 13	M18x1	14.7	M18x1
Size 19	M28x1	24.0	M28x1
Size 25	M37x1	33.2	M37x1

## BACKSHELL TYPE 02



	Thread A	ØB±0.25	ØE±0.2
Size 09	M12x1	8.7	16.7
Size 11	M15x1	11.7	19.7
Size 13	M18x1	14.7	22.7
Size 19	M28x1	22.0	26.6
Size 25	M37x1	32.2	36.8

